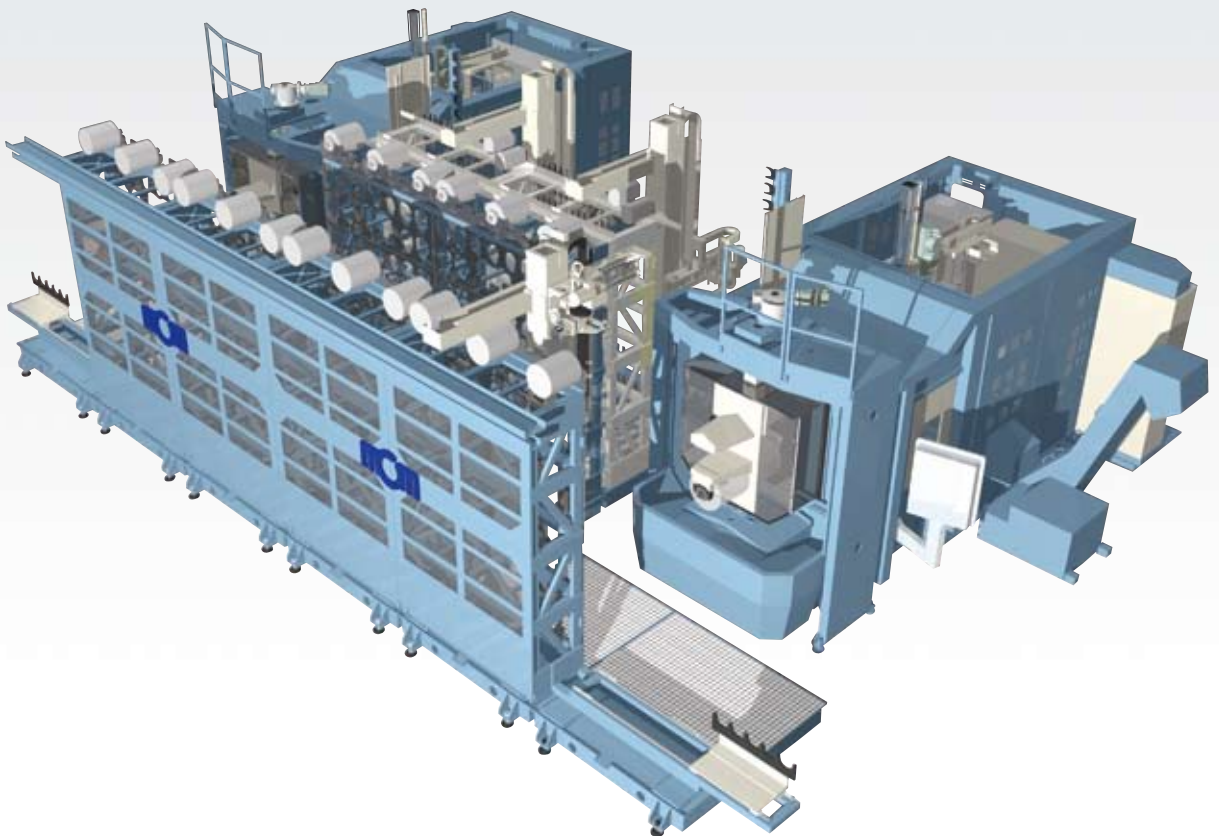


CAPTO C6

Rapid feeds 75 m/min

Pallet dimensions Ø 400



| | |
|--|------------|
| Tool changing time | 4,5 s |
| Number of tools Capto C6 | 315 |
| Tool regeneration + washing + tool check | 7 s |
| Spindle speed | 14.000 rpm |
| Continuous rotary table | 5 Axes |



FLEX MULTITASKING 5 Axes

CARATTERISTICHE TECNICHE

TECHNICAL FEATURES

| | | |
|---------------------|--------|--------|
| Longitudinal X axis | mm | 1.200 |
| Vertical Y axis | mm | 850 |
| Transversal Z axis | mm | 850 |
| Axes thrust | daN | 1.500 |
| Rapid feeds X and Z | mm/min | 75.000 |
| Rapid feeds Y | mm/min | 60.000 |

SPINDLE GROUP

| | | |
|----------------------------------|-----|---------|
| Spindle type 14.000 rpm CAPTO C6 | | |
| Rotation speed | rpm | 14.000 |
| Continuous speed / Max. speed | kW | 40/65 |
| Front bearing diameter | mm | 110 |
| Continuous torque / Max. torque | Nm | 180/400 |

TOOL CHANGE CAPTO C6

| | | |
|---------------------------------|----|-----|
| Magazine capacity | n. | 315 |
| Max. tool length | mm | 340 |
| Max. tool weight | kg | 8 |
| Chip to chip tool changing time | s | 4,7 |

PALLET CAPTO C8X

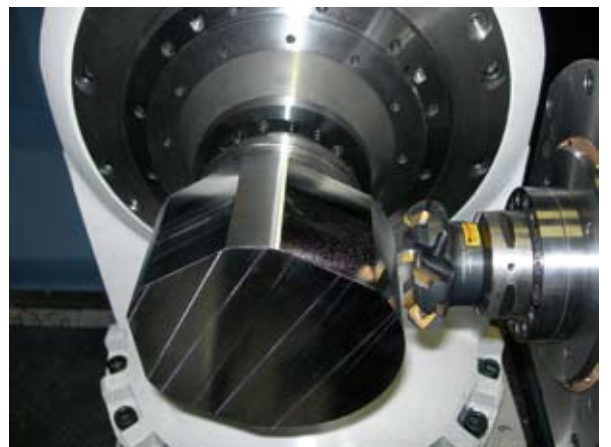
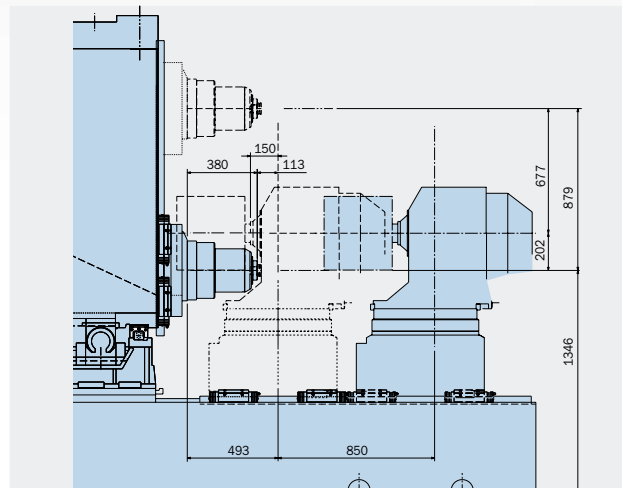
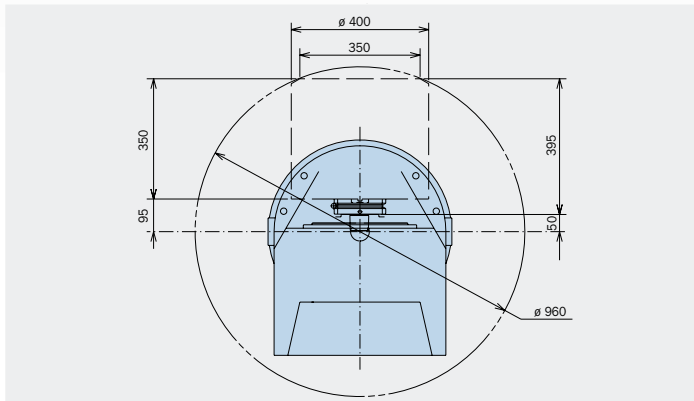
| | | |
|---------------------------------------|----|----------------|
| Magazine capacity | n. | 159 |
| Max. handling weight | kg | 60 |
| Max. handling dimensions (Ø x length) | mm | (Ø) 400x(L)350 |
| Tool changing time | s | 25 |

SPINDLE-CONTINUOUS DIVIDING TABLE TAPER CAPTO C8X

| | | |
|----------------|-----|-----------|
| Positions | | 3.600.000 |
| Rotation speed | rpm | 2.000 |

CHIPS CONVEYOR

Scraper type



MACHINING CENTERS MANUFACTURING

MCM Spa

I-29020 Vigolzone (PC)
 Viale F. e G. Celaschi, 19
 Tel. ++39 0523 879901
 Fax ++39 0523 879130
 E-mail: divcomm@mcmspa.it
 http: www.mcmspa.it

MCM FRANCE Sarl

F-91600 Savigny sur Orge
 6 Av. du Garigliano
 Tel. 01-69-21-21-00
 Fax 01-69-24-10-34
 E-mail: mcm@mcm-france.com

MCM VERTRIEBS GmbH DEUTSCHLAND

D-65189 Wiesbaden Humboldtstraße, 13
 Tel. 0611-372747
 Fax 0611-372745
 E-mail: rebecchi@t-online.de

MCM CANADA

2311- 29th Ave. LAVAL WEST, QC
 H7R 3L4 CANADA
 Phone (450) 627 1414
 Fax (450) 627 7336
 E-mail: astefanoni@sympatico.ca

MCM USA Inc.

34525 Melinz Parkway, Suite 208-C
 Eastlake, OH 44095 - U.S.A.
 Phone (440) 9181415
 Fax (440) 9180776
 Toll free 877 MCM 5999